

PSP370 offers a professional, tough and versatile workhorse, easy cable replacement system, (just in case).

Longer product life with 2,000 hours from our 620W motor.

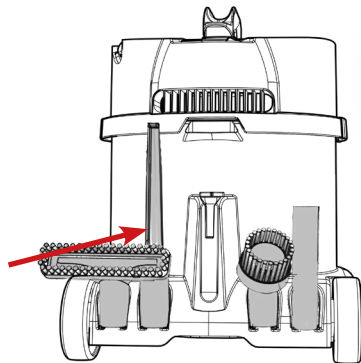
Huge Capacity Less emptying with a 15 litre capacity.

Tough bumper for wall and door protection

Aluminium tubes and versatile Combination Floor Tool.

Full accessory kit.

Quick access storage for 4 accessories



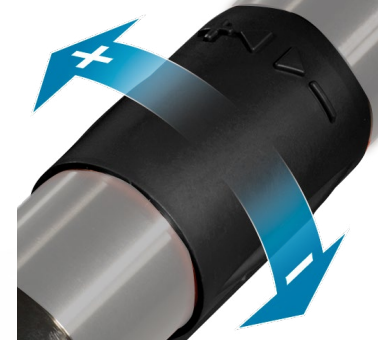
15 litre capacity with our ProLine professional series 370 Drum



902923 - 270mm ProFlo Combination Floor Tool



Versatile Cable System
Plugged cable, for easy maintenance.



30% Easier Cleaning
with the performance control with variable airflow settings.



NVM-2BH HepaFlo Bags
Innovative self seal tab locks all the dust in the bag, meaning emptying with no dust and no mess.

604016 Pack of 10

CAPACITY	15	WEIGHT	9.0
POWER CORD	10	POWER (VOLTS AC/HZ)	230 / 50-60
MOTOR (W)	620	CLEANING RANGE	26.4
SUCTION H20 (MM)	2300	TRITEX FILTER	604165

Kit AH0



Numatic International Limited, Chard, Somerset, TA20 2GB
Telephone: 01460 68600
Fax: 01460 68458

UNITED KINGDOM: www.numatic.co.uk

NETHERLANDS: www.numatic.nl

PORTUGAL: www.numatic.pt

GERMANY: www.numatic.de

SWITZERLAND: www.numatic.ch

SPAIN: www.numatic.es

FRANCE: www.numatic.fr

SOUTH AFRICA: www.numatic.co.za

Specification subject to change without prior notice
www.numatic.co.uk © Numatic International Limited